



Use your HUSQVARNA VIKING® H | CLASS™ E10 to create a beautiful Make-Up Bag to bring along on weekend trips!

Make-Up Bag

H | CLASS™ E10

Approximate size: 25" x 12 1/2" (63 cm x 32 cm)

SEWING SUPPLIES

HUSQVARNA VIKING® H | CLASS™ E10

Yellow fabric 1/2 yard (35 cm) of 55" (140 cm) wide

Netting 1/4 yard (20 cm) of 35.5" (90 cm) wide

Black fabric for pocket and binding

5/8 yard (50 cm) of 35.5" (90 cm) wide

Batting 1/2 yard (35 cm) of 35.5" (90 cm) wide

Elastic 3/8 yard (30 cm) of 2" (5 cm) wide

Scraps from netting/organza/felt/yarn etc. for flower application

3 buttons

1 zipper 7 3/4" (20 cm)

Round elastic 27.5" (70 cm)

Yellow sewing thread

Black sewing thread

CUT

Back and front pieces, 2 pieces 25" x 12 1/2" (63 x 32 cm)

Batting 1 piece 25" x 12 1/2" (63 x 32 cm)

Black pocket (part 1A) 1 piece

Zipper part (part 1B) 1 piece

Pockets from netting (part 2) 2 pieces

Pocket flaps (part 3) 4 pieces

Binding 3 1/8" x 79" (8 cm x 2 meters)

ACCESSORIES

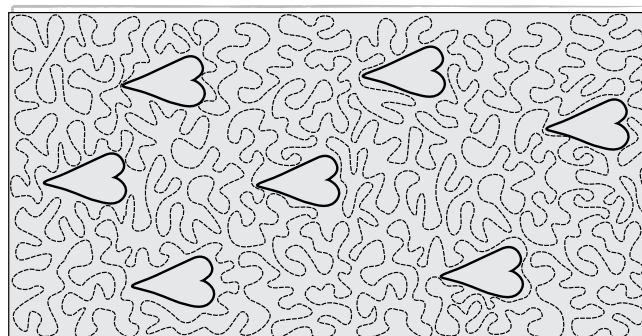
HUSQVARNA VIKING® Pictogram Pen™ (412 08 38-48)

SEW

Free-motion stippling

1. Place the yellow front piece on top of the batting. Trace a couple of hearts onto the fabric using the Pictogram pen.
2. Thread with sewing thread to match your fabric on top and in the bobbin.

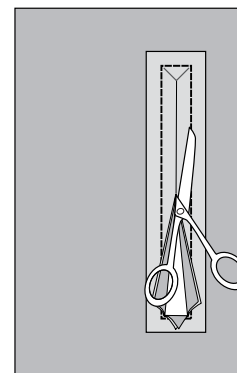
3. Attach the darning plate to cover the feed teeth. Attach the Satin Stitch Foot.
4. Free-motion stipple all over the fabric.
5. Change to contrasting black thread for the hearts.



6. When our free motion sewing is complete, remove the darning plate.

Black pocket

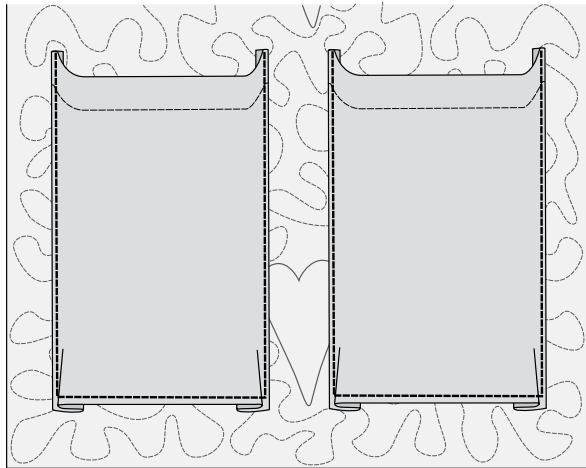
1. To create the opening for the zipper, center part 1A about 1 1/4" (3 cm) from the top of the black pocket piece. Trace the markings from the pattern.
2. Snap on the All Purpose Foot. Select straight stitch SL 2.5 and sew along the line.
3. Cut along the dotted lines. Fold the fabric under to the wrong side of the pocket, press. Center the zipper in the opening. Pin and topstitch the zipper in place.
4. Fold and press a 3/8" (1 cm) hem on all sides of the pocket. Center the pocket about 1 3/8" (3.5 cm) from one of the short sides of the stippled front piece. Topstitch the pocket using a straight stitch SL 2.5 and the All Purpose Foot.



Pockets in netting

1. Fold and press a 5/8" (2.5 cm) hem on the top side of the pockets. Topstitch with a straight stitch SL 2.5.
2. Fold a 3/8" (1 cm) hem on the other three sides. From the folded hem, create a 1/2" (1 3/4 cm) deep tuck on each of the long sides.
3. Pin the pockets in place 1 3/4" (4.5 cm) from the other

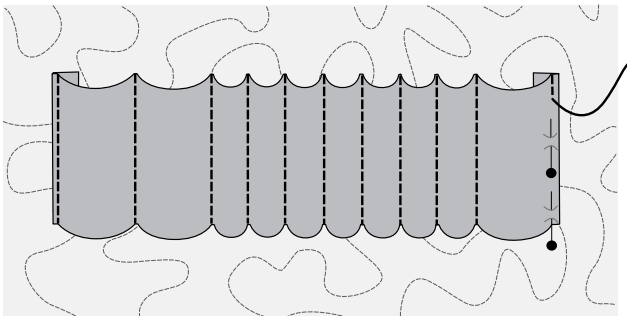
short end of the stippled front piece. Attach with a straight stitch SL 2.5. Hint: Make sure to not catch the fold/tuck when topstitching the pocket!



- Place the pocket flaps right sides together. Stitch along the short ends and one long side and turn right side out. Topstitch.
- Make a buttonhole in each of the pocket flaps. Attach the pocket flaps above the pockets using a straight stitch. Attach the buttons.

Brush/Pen/Mascara Holder

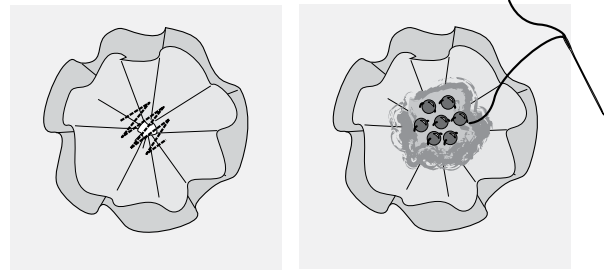
- Measure your make-up utensils/eyeliners/mascara and mark the desired sizes for your utensils on the wide elastic.
- Pin the elastic into place. Use a straight stitch SL 2.5 and sew along your marked lines.



Flower Application

- Cut 1 1/4" – 2" (3-5 cm) wide strips from your scraps. Select straight stitch SL 4.0 and increase the thread tension.
- Snap on your All-Purpose Foot.
- Sew a straight stitch in the center of the scraps leaving 4" (10 cm) long thread ends at the start and finish to pull at when gathering. Pull on the threads

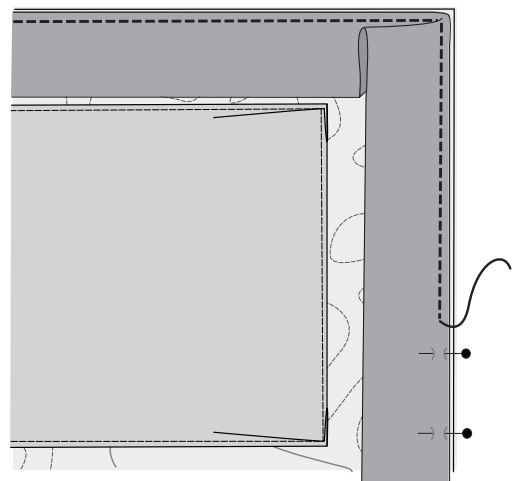
to form the flower. Place the different scraps on top of each other to create different layers in the flower.



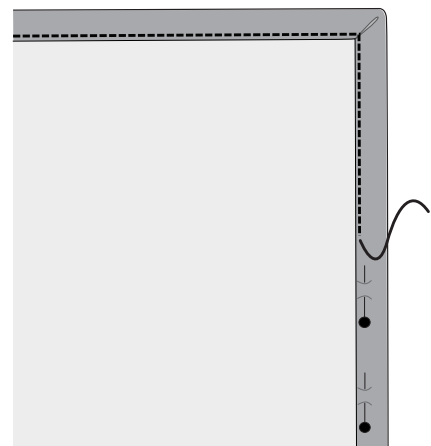
- Pin the flower into place on the back piece. Pin felt or yarn in the middle of the flower to create the center. Attach your flower using a straight stitch SL 2.5.

BINDING

- Place the back piece on a flat surface, right side down. Center the front piece right side up on top of the back piece. Baste with safety pins approximately every 4" (10 cm) all over the make-up bag.

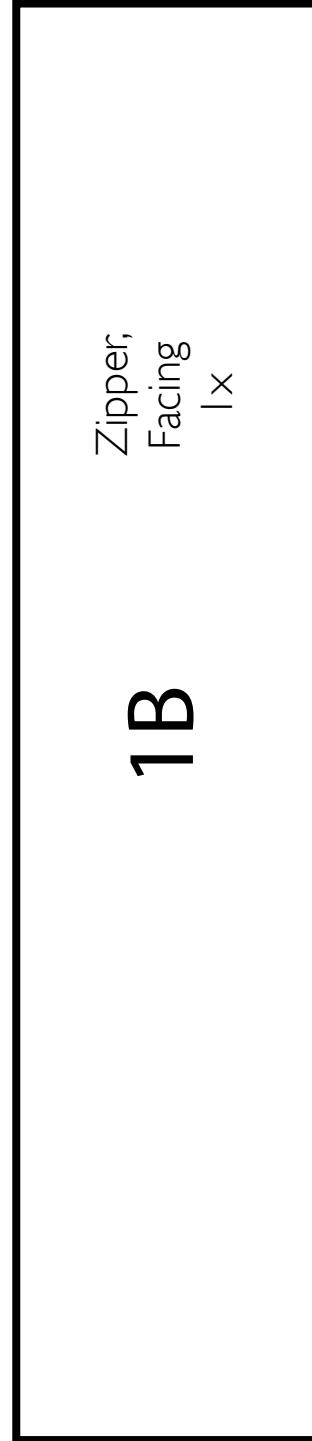
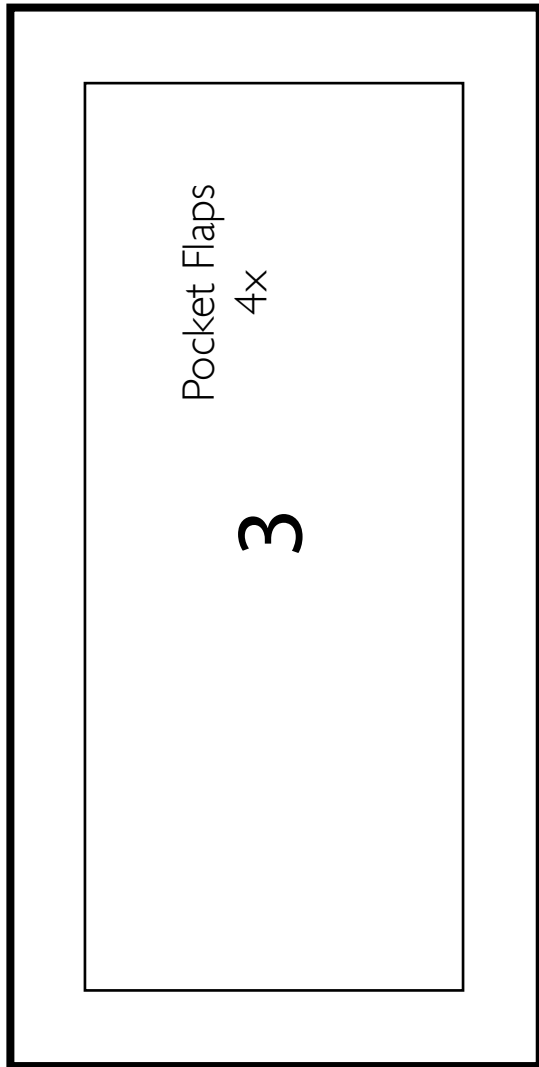


- Place the ends of the binding strips right sides together across each other as shown and join them together. Trim excess fabric and press seam allowance open.



3. Pin the binding in place on the back of the layered fabrics, right side together, edges aligned. Remember to include the round elastic in the seam. Sew in place with a straight stitch.
4. Turn the binding over to the right side and pin into place. Tuck excess fabric at the corners into a miter. Sew the binding in place with a straight stitch.
5. Stitch the button in place at the same spot as the round elastic.

Place your make-up in your new bag and you're ready to go! Have a great weekend!



Black Pocket
1x

1A

Pocket
2x

2